

TANTI STILI...UNA PASSIONE



espresso coffee machines

MANUAL FOR USE AND MAINTENANCE

S2



WEEE

Disposal of the equipment by the users within the European Community (WEEE) in compliance with the article 13 of the legislative decree issued on 25 July 2005, nr151 "Implementation of the directives 2002/95/CE,2002/96/CE e 2003/108/CE, concerning the decrease in the usage of dangerous substances in the electrical and electronic equipment and the disposal of waste".



The symbol of the crossed waste bin indicated on the equipment or on the packaging means that the product at the end of its lifetime must be disposed of separately from all the other waste.

The separate collection of this equipment coming at the end of its lifetime is organized and run by the importer/distributor. The user who should have to dispose of such equipment should get in touch with the importer/ distributor and follow the procedure they have adopted for the separate disposal of the equipment coming at the end of its lifetime. The proper separate disposal of disused equipment so that it can be recycled and treated according what is environmentally compatible contributes to avoid possible negative effects on the Environment and on Health and allows the reutilization and/or the recycling of the materials the equipment is composed of.

The improper disposal by the user causes the enforcement of the administrative sanctions according to current regulations.

INDEX

1	GENERAL DESCRIPTION OF THE MACHINE	3
1.1	DESCRIPTION OF DELIVERY COFFEE BUTTON.....	4
2.	GENERAL ADVICE FOR THE INSTALLER	5
2.1	GENERAL WARNINGS.....	5
2.2	INSTALLATION REQUIREMENTS FOR THE USER.....	7
2.3	WARNING/TECHNICAL DATA LABELS AND NAMEPLATES	
	APPLIED TO THE MACHINE.....	9
3.	REMOVING THE PACKAGING	10
3.1	STANDARD EQUIPMENT OF THE MACHINE.....	10
3.2	OPTIONAL ACCESSORIES.....	11
4.	COMMISSIONING THE MACHINE	11
5.	SWITCHING ON THE MACHINE	12
5.1	COFFEE PREPARATION	13
5.2	EK MODEL ALARMS OPERATION	16
5.3	EP MODEL ALARMS OPERATION	16
6	ROUTINE APPLIANCE MAINTENANCE TO BE PERFORMED BY THE USER.....	17
7	TECHNICAL DATA.....	19

1 GENERAL DESCRIPTION OF THE MACHINE

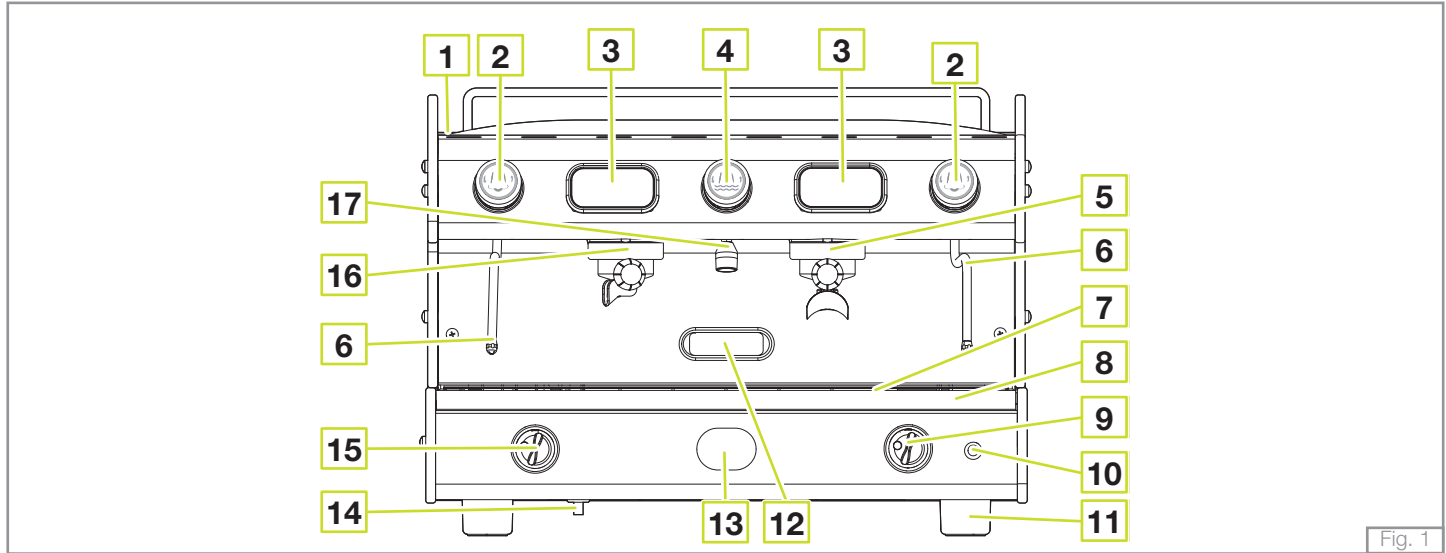
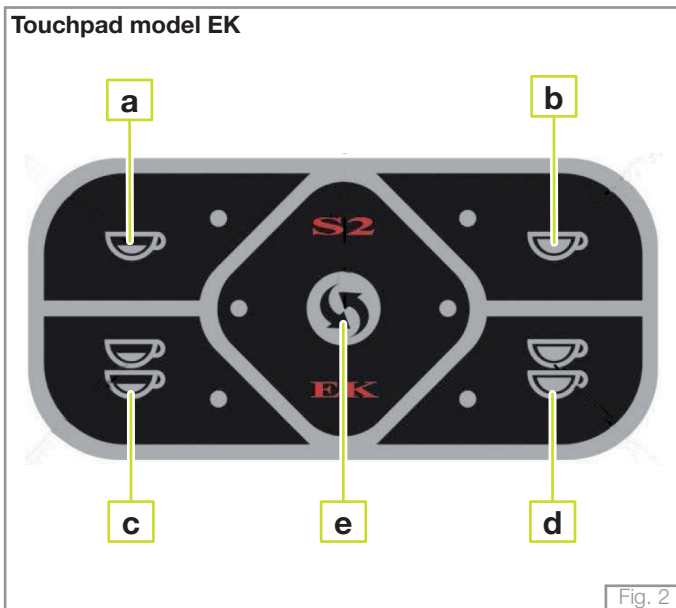


Fig. 1

LEGEND

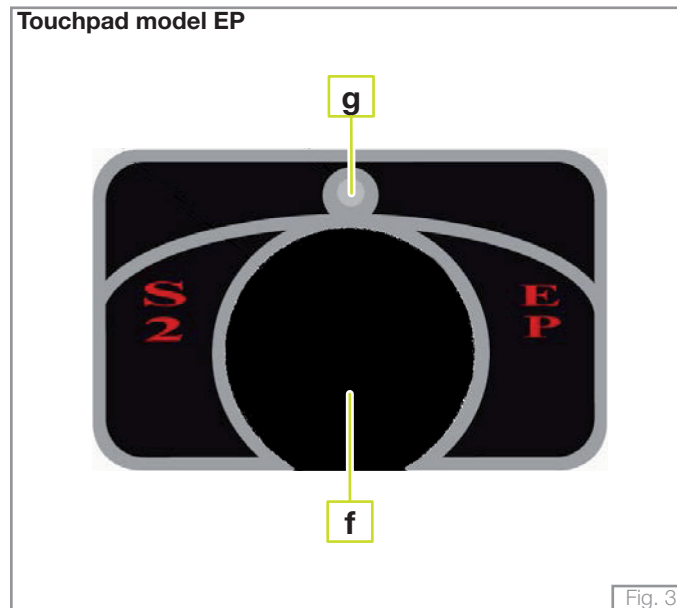
- | | | |
|---|--|--|
| <ul style="list-style-type: none"> 1. Top cup grid 2. Steam delivery knob 3. Touchpad 4. Hot water dispensing knob 5. 2-cup filter holder 6. Steam wand | <ul style="list-style-type: none"> 7. Drip tray grid 8. Water drip tray 9. Main on/off switch 10. Electric cup warmer button. 11. Adjustable foot 12. Opening for gas burner inspection. | <ul style="list-style-type: none"> 13. Gauge 14. Piezoelectric lighter for gas (optional). 15. Control knob for gas delivery (optional) 16. 1-cup filter holder 17. Hot water spout |
|---|--|--|

1.1 DESCRIPTION OF DELIVERY COFFEE TOUCHPAD



LEGEND

- a. 1 short coffee preset delivery button
- b. 1 long coffee preset delivery button
- c. 2 short coffees preset delivery button
- d. 2 long coffees preset delivery button
- e. Continuous delivery key



LEGEND

- f. Delivery button
- g. LED

2. GENERAL ADVICE FOR THE INSTALLER

Read carefully the instructions and warnings contained in this manual and in the “**INSTRUCTION MANUAL FOR THE INSTALLER**”, since they provide important indications concerning the installation of the appliance.

Attention!

The electric system, water supply system, drainage system and gas system (in case the appliance is pre-fitted for gas), **MUST** already be put in place by the customer in order to allow the proper installation of the machine. The installation engineer cannot change the existing system put in place by the customer. See chapter 2.2: “Arrangements for installation provided by the customer

Attention!

The appliance must be installed where use and maintenance are restricted to trained staff.

2.1 GENERAL WARNINGS

Attention!

CAREFULLY READ THE FOLLOWING WARNINGS, WHICH OFFER IMPORTANT GUIDELINES FOR THE SAFE USE AND MAINTENANCE OF THE APPLIANCE.

The appliance must only be used for its intended purpose and it must be installed in a suitable place for its use. Any other use is therefore considered as improper and unreasonable.

The manufacturer cannot be held liable for any damage caused by improper, incorrect or unreasonable use. Installation must be carried out by qualified personnel according to current laws and to the manufacturer’s instructions. Incorrect installation may cause damage to people, animals or property for which the manufacturer cannot be held liable.

**Danger!**

The electrical safety of the appliance is fully achieved only after it has been correctly connected to an earthing system as required by the laws in force.

It is necessary to have the earthing connection checked by professionally qualified personnel. The manufacturer cannot be held liable for any damage caused by the lack or inefficiency of the system's earthing connection. The appliance has not been designed for outdoor use. It must only be operated in a place where the ambient temperature is between **+5°C** and **+40°C**.

**Attention!**

The use of any electrical appliance also requires observance of the following important regulations.

- Do not touch the appliance with wet or damp hands or feet.
- Do not use the appliance barefooted.
- Do not pull the power supply cord to unplug the appliance from the mains power.
- Do not allow children or unqualified persons to use the appliance.
- Access to the appliance's service area must be restricted to those persons with the relevant practical experience and familiarity with the appliance itself, especially in terms of safety and hygiene.
- The device is not intended to be used by people (children included) whose physical , sensory or mental capability are reduced, unless they could benefit, through the intermediation of a person in charge of their safety, of a guard or of instructions concerning the device's use. Children must be kept under surveillance to be sure they wouldn't play with the device.
- Before carrying out any routine maintenance or cleaning operation, disconnect the appliance from the mains power and shut off the water supply tap.
- In the event of damage and/or malfunction of the appliance, switch it off completely without trying to make any direct repairs. Contact the nearest Service Centre authorised by the manufacturer.
- In order to guarantee the proper efficiency and operation of the appliance, it is fundamentally important to follow the manufacturer's instructions, and to follow a regular maintenance schedule.
- The appliance has **IPX2** protection against water and therefore, it cannot be installed in areas where it may be subject to jets of water.

- The appliance has **class I** protection against electric shocks.
- The noise emitted by the appliance during normal operation is less than **70 dB**.
- NOTE: Appliances fitted to operate with gas system. The appliance has been fitted by the manufacturer to operate with **LPG** under a maximum supply pressure of 30 mbar. Adaptation to operate with any other type of gas must be carried out by personnel authorised by the manufacturer.



Attention!

Failure to comply with the above regulations could jeopardise the correct operation and safety of the appliance as well as its useful lifetime.

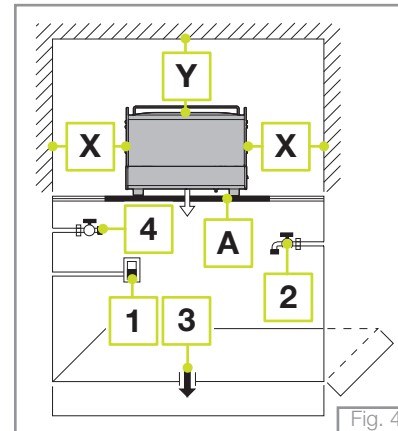
2.2 INSTALLATION REQUIREMENTS FOR THE USER

The machine has to be placed on a stable flat surface that can guarantee a safe position. Check this important requirement, since the manufacturer cannot be considered liable for any damage caused by the instability of the appliance. While preparing the systems, take into account that a hole is needed in the bearing surface in order to make all electric and water connections through the opening below where a water softener will need to be fitted, if recommended by the installation engineer.

A hole of **10 x 10 cm** is enough in the area (a) as indicated in Pict. A.

The machine needs a minimum clearance of:

- height cm. 60
- width cm. 40
- depth cm. 40



Legend:

- 1** Single pole switch with an opening of at least 3 mm between contacts.
 - 2** Water supply tap
 - 3** Drain siphon
 - 4** Gas supply tap (if fitted)
 - X** min. 20 cm.
 - Y** min. 40 cm.
 - Z*** min. 10 cm.
- *) Distance between the back of the appliance and the wall.

- Between the water mains and the water inlet pipe of the appliance, there must be a tap to stop the water flow if necessary (2 - Fig.4).
- The water mains pressure must be within the range of **1 and 5 bar**.
- If this requirement is not met, please consult the manufacturer.
- The appliance is supplied without a plug. It is supposed to be directly connected to the electric mains and therefore, it is necessary to fit a single-pole switch with contact opening of **3 mm** or more beforehand, according to the regulations in force (1 - Fig.4).
- The drainpipe of the appliance must be directly connected to a suitable open drain siphon, previously installed by the customer (3 - Pict.4). Do not fit the drain pipe into basins or buckets placed under the counter as this will increase the possibility of forming dirt deposits and as a result, the spread of bacteria.

 **Attention!**

The appliance is supplied without water in the boiler. This is to prevent serious damage if the appliance is exposed to low temperatures. The appliance must only be supplied with cold drinking water.

 **Attention!**

For appliances operating with gas, the gas supply tap must be fitted in an easily accessible place (4 - Pict. 4), so as to be able to shut off the gas supply if necessary.

Regularly check the expiry date on the gas pipe connecting the system and the appliance and have it replaced by the Service Centre before this date

2.3 WARNING/TECHNICAL DATA LABELS AND NAMEPLATES APPLIED TO THE MACHINE.

In the figure below are shown the warning/technical data labels and nameplates positioned on the machine.



Dedicate the time necessary to familiarise yourself with these labels.

Ensure that they are readable and keep them clean or replace those that have deteriorated or illegible (both the text and the graphics).

Use a soft cloth, soap and water to clean the labels. Do not use solvents, petrol, etc.

If a label is positioned on a component part that has to be replaced, ensure that the new component has the same label applied or a new one.

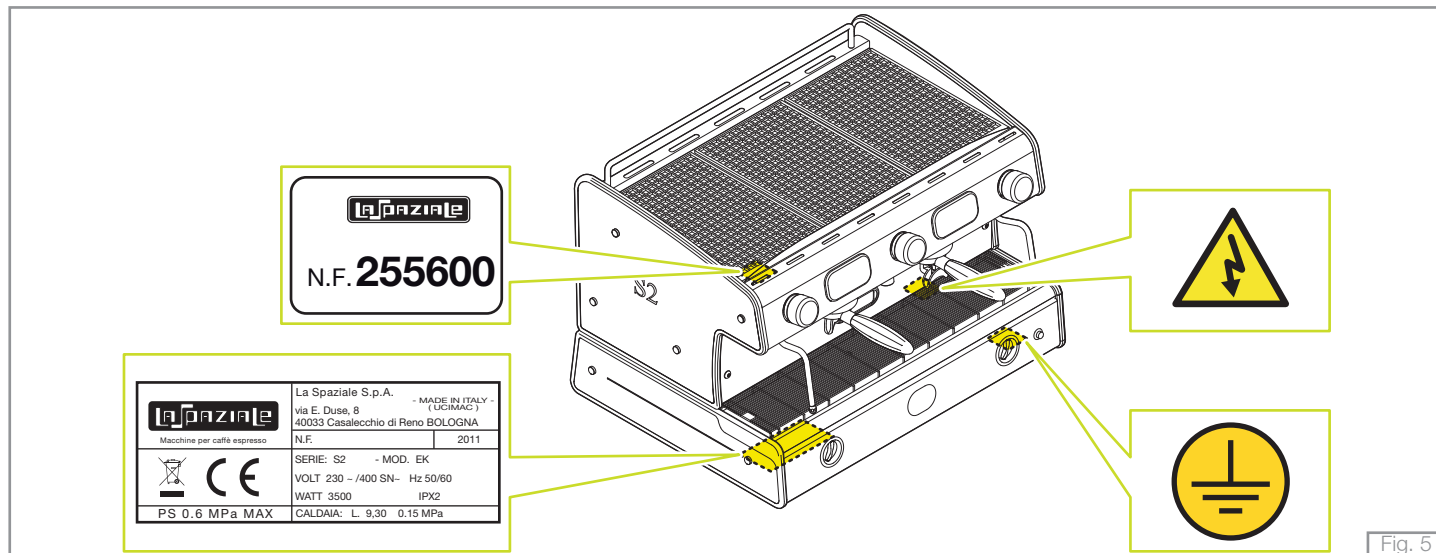


Fig. 5

3. REMOVING THE PACKAGING

After unpacking the machine, please check its integrity; in case of doubt, do not use it and consult the manufacturer. Packaging materials must not be left within children's reach since they are potentially dangerous.



The appliance weight is more than 30 kg and therefore, it cannot be moved by a single person alone.



Dispose of the packaging as per the norms in force of the country in which the machine is utilised.

3.1 STANDARD EQUIPMENT OF THE MACHINE

LEGEND

- A. 1 set of filter holders with relative spouts
- B. 1 complete set of hoses for connection to water mains
- C. 2 sets of filters
- D. 1 set of shower heads
- E. 1 wrench for shower head removal
- F. 1 brush
- G. 1 motor-driven pump (unless already built in)
- H. 1 manual coffee tamper

3.2 OPTIONAL ACCESSORIES (Supplied only at the request of the customer)

LEGEND

- I. Water softener
- L. Filter
- M. Pressure reducer
- N. Detergent

4. COMMISSIONING THE MACHINE

- a) Open the water supply valve as envisaged in the preparations for installation (See Fig. 4 on page 7 - Rif. 2).
- b) Check for any water leaks from the hosing/connections.
- c) Switch on the main breaker as envisaged in the preparations for installation (See Fig. 4 on page 7 - Rif. 1)

5. SWITCHING ON THE MACHINE

FILLING THE BOILER

- A. Turn the knob of the switch on the appliance (9) to 1; at this point the LEDs on the touchpads will switch on to indicate that power is feeding the machine.
- B. Water will now automatically fill the boiler as far as the level set by the manufacturer.

ONLY FOR EQUIPMENT FITTED TO OPERATE WITH GAS (Optional)

- A. Open the gas tap mentioned in the preparation of the system (pic. 4 - page 7).
- B. Turn the knob (15) on the machine by 90° until the symbol of the large flame on the knob itself is at the top.
- C. Push the knob (15) and the gas igniter (14) at the same time until the gas turns on; this can be seen through the inspection opening (12).
- D. Hold down the knob (15) for about 10 seconds and check through the special inspection opening (12), that the flame stays lit.
- E. It is recommended to turn the gas adjustment knob (15) to the small flame setting during summer to prevent useless overheating of the coffee cups on the top grid of the machine (1).

APPLIANCE HEATING AND PREPARATION STAGE

- A. Once the boiler has been filled, turn the dial on the switch to position 2 (power to the boiler heating element).
- B. Fasten the filter holders (5) to the delivery groups (16).
- C. Open the steam valves (2) (by turning them anticlockwise) and leave them open; then move the steam wands (6) over the grid (7).
- D. Wait for steam to come out from the wands (6), then close the steam valves (2) (by turning them clockwise).
- E. Wait for the appliance to reach operating temperature, which can be seen on the pressure gauge (13) on the appliance.

The boiler's pressure is normally set by the manufacturer to 1 bar.

- F. The appliance is ready for use.



Take note!

The running temperature is the temperature of the boiler during normal operation.

5.1 COFFEE PREPARATION

- A. Remove a filter holder (5 or 16 a according to whether 1 or 2 cups of coffee are required) from the delivery group.
- B. Fill with ground coffee, taking care not to leave any coffee powder residues on the top edge of the filter holder, then press it using the special coffee press supplied.
- C. Re-insert the filter holder firmly.
- D. Place one or two cups below the filter holder (5 or 16 a according to whether 1 or 2 cups of coffee are required).
- E. **EP MODEL** Push the button (f) on the delivery group until the required of amount of coffee has been delivered, then manually stop the delivery function by pressing the same button again.
- F. **EK MODEL** it is sufficient to press any of the coffee delivery buttons (a-b-c-d) with pre-set doses (set during installation) or alternatively, to use the manual delivery button (e).



Take note!

To stop coffee delivery earlier after using one of the buttons with pre-set doses, just press the button on the same touchpad.

POURING HOT WATER FOR PREPARING INFUSIONS

- A. Place the pitcher underneath the hot water spout.
- B. Turn on the tap by turning the knob (4) in order to obtain the required amount of water.
- C. Turn off the tap to stop delivering water by setting the knob (4) to its initial position.



Do not use the knob to deliver hot water before placing the pitcher below the hot water spout, to prevent possible burns.

DISPENSING STEAM FOR HOT DRINK PREPARATION

- A. Insert the steam wand (6) into the pitcher containing the drink to be heated up.
- B. Turn the knob of the corresponding steam wand anti-clockwise. Set the amount of steam as needed by turning the knob (2) more or less.
- C. Once the heating phase is finished, stop delivering steam by turning the knob (2) clockwise, remove the steam wand from the pitcher and clean it immediately with a wet sponge, removing all residues of the heated drink.



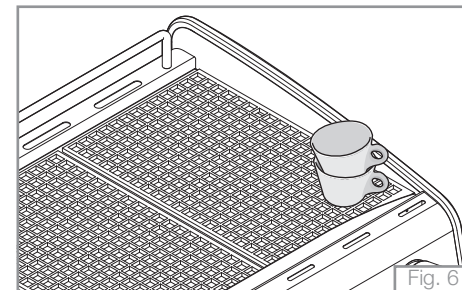
Do not turn the knob (2) to deliver steam before inserting the steam wand (6) into the pitcher in order to prevent possible burns.

ELECTRIC CUP WARMER (Optional)

The appliances can also be equipped with an electric cup warmer (as optional) for an additional cup heating. To switch on the cup warmer, press the button (10). Press the same button to switch it off.

Attention!

It is allowed to place cups on the special cup grid (1) on the top of the appliance as long as the cups have their openings facing upwards (fig. 6). This is in order to prevent that the combustion fumes of the gas burner, on machines fitted with gas system may come into contact with the inside of the cups, which are supposed to contain coffee.



5.2 EK MODEL ALARMS OPERATION

LED CORRESPONDING TO THE COFFEE DOSE BUTTON DISPENSING, FLASHING AFTER 5-6 SECONDS:

This alarm is viewed when, during the delivery phase, there is a flow meter malfunction for the delivery group, or if the coffee has been too finely ground. After checking the grinding fineness, if the problem continues, contact an authorised Service Centre.

ALL LEDS CORRESPONDING TO ALL DOSES ON ALL TOUCHPADS FLASHING:

The automatic filling function for the boiler tank has been operating for more than 4 minutes (6 minutes for the SPECIAL with 3 groups), total machine block. To return to the standard operating phase, switch the machine off using the main ON/OFF switch. If this problem is repeated frequently, contact an authorised Assistance Centre.

5.3 EP MODEL ALARMS OPERATION

TOUCHPAD SYMBOLS FLASHING ALTERNATELY:

The automatic filling function for the boiler tank has been operating for more than 4 minutes (6 minutes for the SPECIAL with 3 groups), total machine block. To return to the standard operating phase, switch the machine off using the main ON/OFF switch. If this problem is repeated frequently, contact an authorised Assistance Centre.

6 ROUTINE APPLIANCE MAINTENANCE TO BE PERFORMED BY THE USER

Take note!

To grant the efficiency of the appliance and to maintain correct operation, it is necessary to follow the manufacturer's instructions as to cleaning and regular maintenance.

Attention!

Cleaning and routine maintenance operations must be carried out by the user according to the manufacturer's instructions given here below. Before carrying out any kind of cleaning operation, disconnect the appliance from the electricity mains and from the gas system (if fitted). Cleaning and routine maintenance operations must be carried out when the machine is cold and using protective gloves to prevent abrasions.

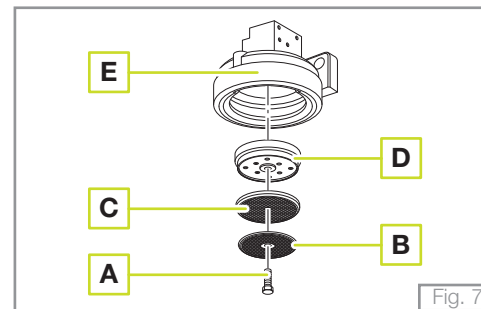
DAILY AT THE END OF THE JOB

- 1) Replacing the water in the boiler.
After turning off the appliance, replace the water in the boiler as follows:
 - Place a container that can withstand high temperatures below the hot water nozzle (17) to prevent any hot water spills.
 - Turn the tap (4) anticlockwise until the boiler is completely empty; switch the machine on again and the correct water level for the boiler will automatically be restored.
- 2) Then clean the filter holders and the filters with the brush provided, making sure no dirt is left inside the filter holders and that all filter holes are clean.
- 3) Clean the shower heads below the delivery groups with the brush.
- 4) Clean the drip tray (8) and the cup grid (7), using the standard detergents on sale, if necessary.

Every 3 days

After turning off the machine, remove the shower heads using the wrench provided; brush them carefully, making sure that all the holes are clean. Then reassemble the parts following the sequence shown in the figure 7.

- A. Fastening screw
- B. Small shower head
- C. Large shower head
- D. Diffuser
- E. Delivery group



Take note!

Do not use water jets to clean the machine.



Attention!

Every day, at the end of work and after daily cleaning, turn off the appliance using the electric switch; then close the water supply tap and the gas tap (see fig.4- pag.7)

WATER SOFTENER

If the installation of a water softener has been recommended by the installation engineer because of hard water and problems of scale deposits, it is necessary to follow the instructions of the water softener's manufacturer (periodic regeneration).

BODYWORK

Clean the bodywork of the appliance using mild detergent to prevent any damage. We recommend not to use abrasive sponges that could damage the body panels.

7 TECHNICAL DATA

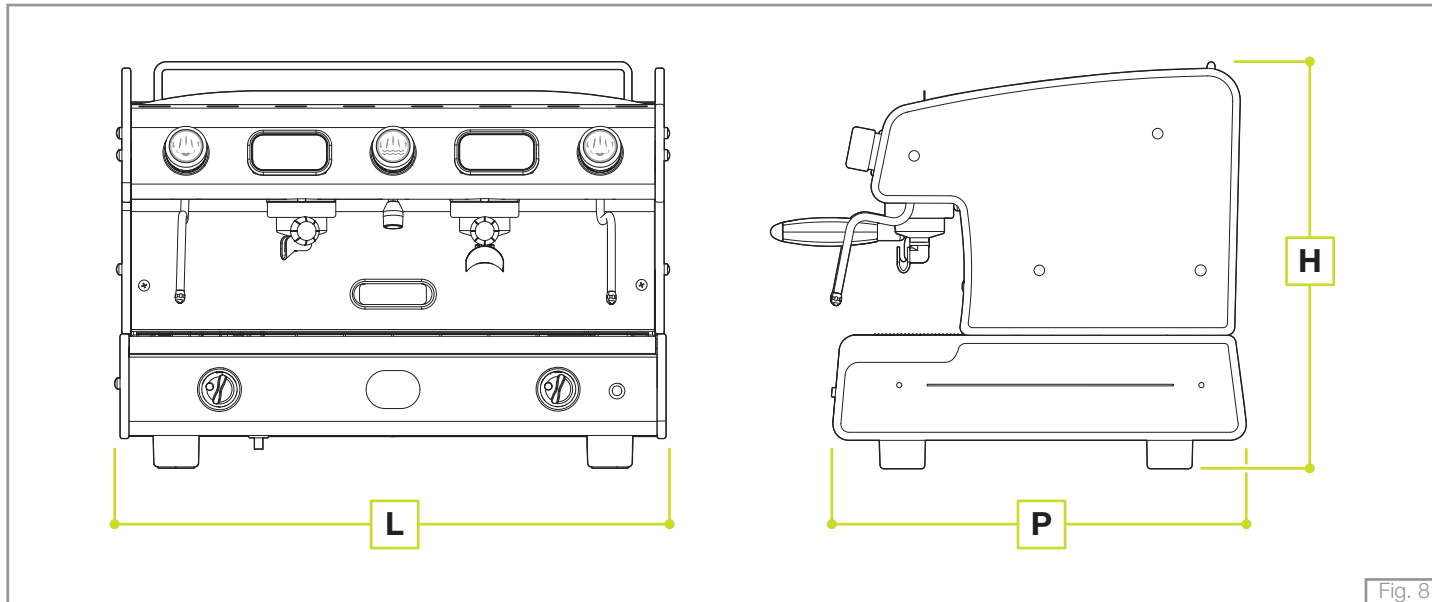


Fig. 8

DIMENSIONS AND WEIGHT				
S2	1 GR	2 GR	3 GR	SPAZIO
L	460	700	930	540
H	520	520	520	520
P	530	530	530	530
WEIGHT KGS	41	65	82	57

POWER SUPPLY RATING AND ABSORPTION				
S2	1 GR	2 GR	3 GR	SPAZIO
VOLT	220/240	220/240	220/240/400	220/240
Hz	50/60	50/60	50/60	50/60
W	2200	3900	4500	3000
W+	3000		6500	3800

The 'W+' symbol refers to the machine's power with upgraded heating element.



espresso coffee machines

La Spaziale S.p.A.

Via E. Duse, 8
40033 Casalecchio di Reno
Bologna - (Italy)

 +39 051 611.10.11

 +39 051 611.10.40

 info@laspaziale.com

 www.laspaziale.com